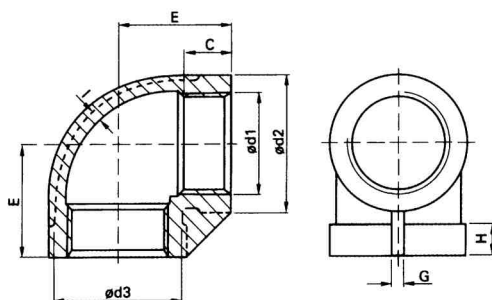


Złącza gwintowane ITALINOX-POLSKA

KOLANKO 90° GWINTOWANE nakrętne Z01

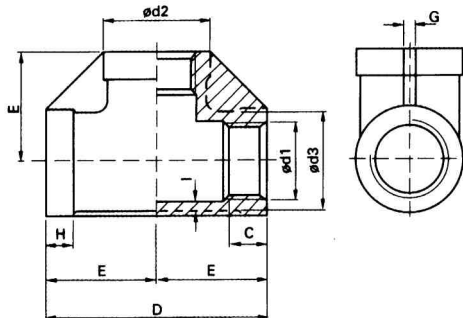


gwint wykonany wg normy:
DIN

materiał: AISI 304, AISI 316

Rozmiar	d1	d2	d3	C	E	G	H	I	Waga
cal	cal	mm	mm	mm	mm	mm	mm	mm	kg
1/8"	1/8"	16,0	13,5	6,2	17	3,5	6	2	0,029
1/4"	1/4"	19,0	15,5	9,4	19,5	4,0	6,0	2,0	0,035
3/8"	3/8"	22,5	19,5	9,7	24,0	4,0	6,5	2,5	0,059
1/2"	1/2"	28,0	26,0	10,0	29,0	3,0	7,5	2,0	0,104
3/4"	3/4"	34,0	31,5	10,5	32,0	3,0	8,5	2,0	0,143
1"	1"	43,0	40,0	14,0	37,0	4,0	10,0	2,5	0,268
1 1/4"	1 1/4"	51,0	48,0	16,0	43,5	5,0	11,0	2,5	0,380
1 1/2"	1 1/2"	59,0	56,5	18,0	48,0	5,0	12,0	2,5	0,512
2"	2"	72,0	68,0	18,0	55,5	5,5	13,0	2,5	0,754
2 1/2"	2 1/2"	90,0	86,0	22,0	67,0	9,0	14,0	3,0	1,692
3"	3"	106,0	102,0	24,0	77,0	10,0	15,0	3,5	2,325
4"	4"	132,0	127,0	25,0	96,0	8,5	15,0	3,5	3,433

TRÓJNIK GWINTOWANY nakrętny Z08



gwint wykonany wg normy:
DIN

materiał: AISI 304, AISI 316

Rozmiar	d1	d2	d3	C	D	E	G	H	I	Waga
cal	cal	mm	mm	mm	mm	mm	mm	mm	mm	kg
1/8"	1/8"	16,0	13,5	6,2	36,0	18,0	3,0	6,0	2,5	0,046
1/4"	1/4"	19,0	15,5	9,4	39,0	19,5	3,0	6,0	2,0	0,054
3/8"	3/8"	22,5	19,5	9,7	46,0	23,0	3,0	5,5	2,5	0,085
1/2"	1/2"	28,0	26,0	10,0	58,0	29,0	3,0	7,5	2,0	0,144
3/4"	3/4"	34,0	31,5	12,0	65,0	32,5	3,0	8,5	2,0	0,210
1"	1"	43,0	40,0	14,5	74,0	37,0	4,0	9,5	2,0	0,360
1 1/4"	1 1/4"	51,0	48,0	16,5	89,0	44,5	5,0	10,5	2,0	0,500
1 1/2"	1 1/2"	59,0	56,5	17,5	96,0	48,0	5,0	11,5	2,5	0,700
2"	2"	72,0	68,0	18,0	113,0	56,5	6,0	12,0	2,5	1,010
2 1/2"	2 1/2"	90,0	87,5	23,0	136,0	68,0	9,0	13,5	4,0	2,408
3"	3"	106,0	101,5	24,5	157,0	78,5	10,0	15,0	4,0	3,318
4"	4"	132,0	127,0	29,0	194,0	97,0	10,0	15,5	4,0	4,810