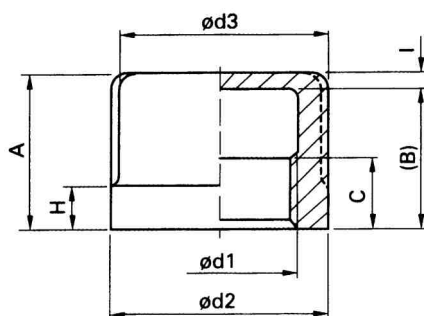


# Złącza gwintowane ITALINOX-POLSKA

## ZAŚLEPKA GWINTOWANA nakrętna, okrągła Z19

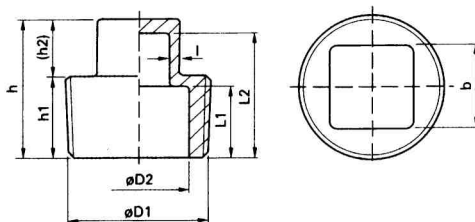


gwint wykonany wg normy:  
DIN

materiał: AISI 304, AISI 316

Rozmiar	d1	d2	d3	A	C	H	I	(B)	Waga
cal	cal	mm	mm	mm	mm	mm	mm	mm	kg
1/8"	1/8"	16,0	13,5	15,0	6,2	6,5	3,0	12,0	0,016
1/4"	1/4"	20,0	18,0	22,0	9,4	6,5	3,0	19,0	0,030
3/8"	3/8"	25,5	23,5	24,5	9,7	7,5	2,5	22,0	0,054
1/2"	1/2"	30,0	28,0	28,0	10,0	7,5	3,0	25,0	0,073
3/4"	3/4"	36,0	33,0	28,0	12,0	8,5	3,0	25,0	0,101
1"	1"	44,5	41,5	32,0	15,0	9,0	3,0	29,0	0,171
1 1/4"	1 1/4"	53,0	50,0	32,5	18,0	10,0	4,0	28,5	0,239
1 1/2"	1 1/2"	60,0	57,0	36,0	18,0	11,0	5,0	31,0	0,310
2"	2"	74,0	70,0	39,0	18,0	12,0	5,0	34,0	0,462
2 1/2"	2 1/2"	91,0	86,0	43,0	22,0	14,0	6,0	37,0	0,795
3"	3"	104,0	104,0	47,5	23,0	14,0	6,0	41,5	1,243
4"	4"	139,0	133,0	51,0	25,0	15,0	6,0	45,0	2,074

## ZAŚLEPKA GWINTOWANA wkrętna z czopem kwadratowym (KOREK) Z22



gwint wykonany wg normy:  
DIN

materiał: AISI 304, AISI 316

Rozmiar	b	D1	D2	L1	L2	h	h1	h2	l	Waga
cal	mm	mm	mm	mm	mm	mm	mm	mm	mm	kg
1/8"	7	1/8"				18,0	10,0	8,0		0,011
1/4"	9	1/4"				19,0	10,0	9,0		0,017
3/8"	10	3/8"				20,0	11,0	9,0		0,029
1/2"	13	1/2"	14,5	11,0	21,0	23,0	13,0	10,0	2,5	0,031
3/4"	18	3/4"	18,0	16,0	26,0	30,0	18,0	12,0	2,5	0,070
1"	19	1"	25,0	18,0	31,0	33,0	21,0	12,0	2,5	0,095
1 1/4"	23	1 1/4"	34,0	19,0	34,0	39,0	23,0	16,0	2,5	0,152
1 1/2"	26	1 1/2"	39,0	21,0	36,0	40,0	23,0	17,0	2,5	0,208
2"	29	2"	50,0	24,0	42,0	45,0	26,0	19,0	2,5	0,312
2 1/2"	40	2 1/2"	59,0	24,0	41,0	48,0	28,0	20,0	3,0	0,587
3"	44	3"	75,0	27,0	50,0	54,0	32,0	22,0	3,0	0,714
4"	59	4"	101,0	33,0	55,0	59,0	37,0	22,0	3,0	1,100